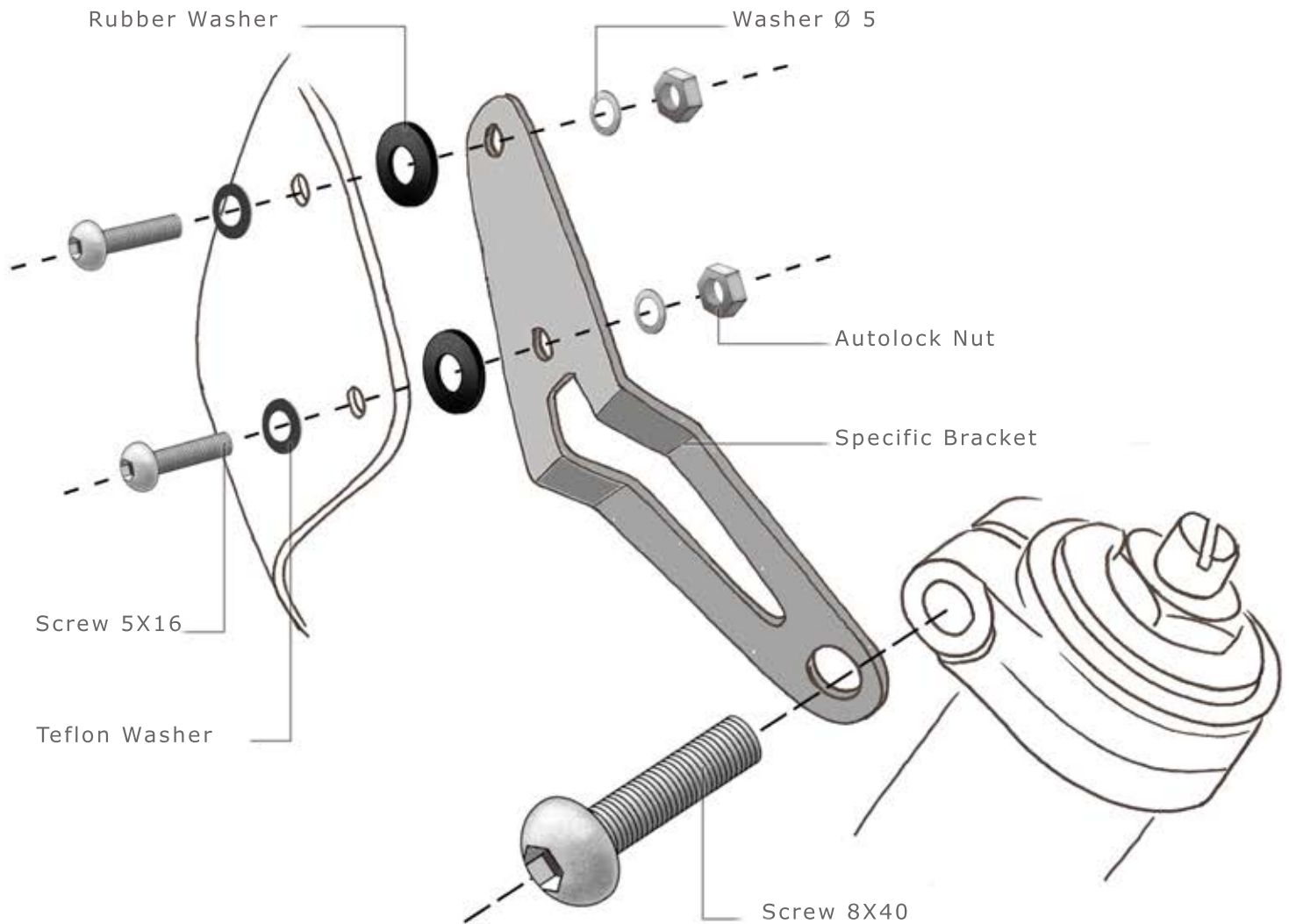


**MOUNTING PROCEDURE****KIT WINDSHIELD  
SUZUKI GLADIUS****SU6300****KIT**

- X1. BARRACUDA WINDSHIELD/SCREEN
- X2. BRACKET (RIGHT SIDE + LEFT SIDE)
- X2. "ROUND HEAD" SCREW 8X40
- X4. "ROUND HEAD" 5X16 SCREW
- X4. RUBBER WASHERS
- X4. WASHER DIAMETER 5
- X4. TEFLON WASHER
- X4. AUTOLOCK NUT DIAMETER 5

[WWW.BARRACUDAMOTO.COM](http://WWW.BARRACUDAMOTO.COM)

REMOVE THE ORIGINAL WINDSHIELD/SCREEN AND POSITION THE BARRACUDA WINDSHIELD/SCREEN ON THE EXACTLY SAME HOLES OF ORIGINAL ONE; PUT THE THICKNESS ON THE WINDSHIELD/SCREEN WITH TE RUBBER WASHERS EACH ATTACK LIKE DESCRIBED IN THE PICTURE.

NOTE: THE PICTURE REPRESENT THE LEFT SIDE OF FIXING PROCESS